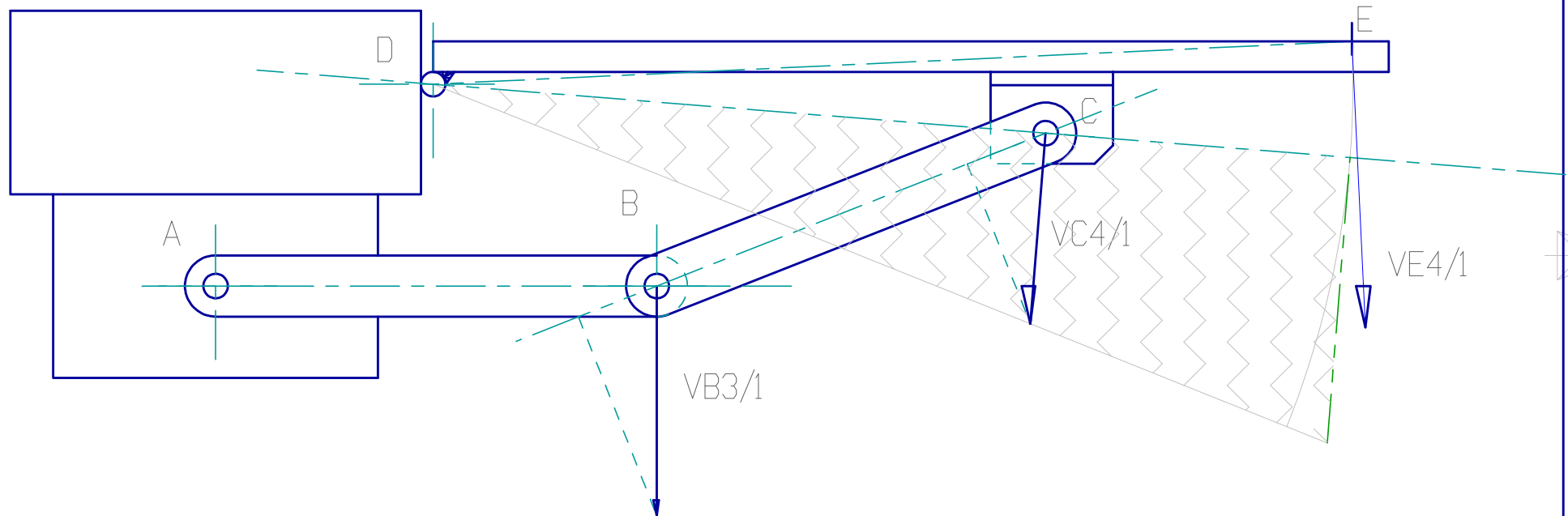


CORRECTION



$$V_{C3/1} = V_{C4/1} = 0.062 \text{ m/s}$$

$$V_{E4/1} = 0.096 \text{ m/s}$$